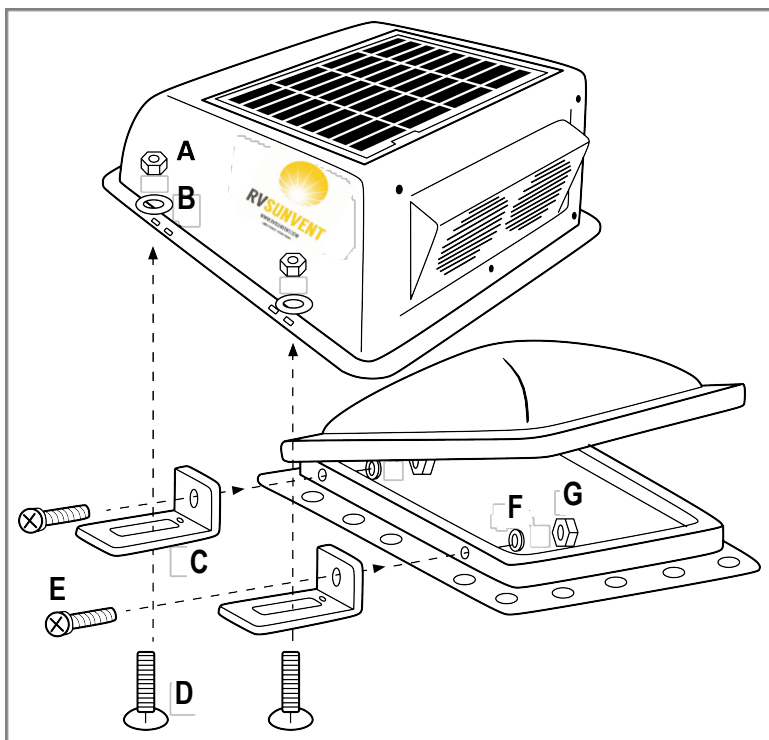


RVSUNVENT INSTALLATION INSTRUCTIONS



PARTS INCLUDED FOR MOUNTING TO EXISTING 14" X 14" ROOF VENTS:

- | | |
|-----------------------------------|-------------------------------|
| A. Four (4) 1/4-20 hex lock nuts | E. Four (4) 8/32 x 1/2 screws |
| B. Four (4) 1/4 flat washers | F. Four (4) #8 flat washers |
| C. Four (4) mounting brackets | G. Four (4) 8/32 lock nuts |
| D. Four (4) 1/4-20 x 3/4 carriage | |

TOOLS REQUIRED

- Pencil
- Power drill with 3/16" drill bit
- Phillips head screwdriver
- Adjustable wrench

INSTALLATION INSTRUCTIONS

1. Place and center the RVSunvent over the roof vent with the fans facing the rear of the vehicle.
2. Use a pencil to mark the location of all eight slots in the RVSunvent's mounting flange. Set the RVSunvent aside.
3. Position one of the four mounting brackets (C) on your vehicle's roof so the slot in the bracket intersects one of the locations traced on the roof. For maximum stability, place the mounting bracket as close to the outside corner of your existing roof vent frame as possible.
4. Mark the location of the bracket's screw hole on the vertical roof vent frame well. Drill through the roof vent frame using a 3/16" drill bit.
5. Place one of the carriage bolts (D) upward through the slot in the bracket and then attach the bracket to the roof vent wall using the small screw (E), small washer (F), and small lock nut (G). Repeat steps 3-5 for all four brackets.
6. Place the RVSunvent on the four upward facing carriage bolts and fasten using the larger flat washer (B), and larger lock nut (A). Be sure to fully push the head of the carriage bolt up into the bracket slot to prevent the carriage bolt from turning while tightening the lock nut.

FAQ

Does the RVSunvent require wired electricity to operate? Absolutely not. The RVSunvent operates entirely by the sun's power. Whenever the sun is shining, the fans will operate. This is a great way to cut down on your RV's AC load (cooling costs) because it will more quickly remove that hot air so your AC doesn't have to work so hard to cool it first.

Is caulking required? No, caulking is not required: in fact, the gap between the vent cover and the vehicle roof is there so condensation and rain can easily drain out.

May I drive while the vent is open and the fan is operating? Yes, that is one of many features this type of vent cover provides. Whenever the sun is shining, the RVSunvent will move air improving your vehicles' interior living/working space from hot air, odors, and stagnant/moist air.

Will the fans work only on bright sunny days? Actually, the 10 watt solar panel and two fan configuration allows one fan to start venting in lower sunlight or light cloudy days. Clouds actually reflect the sun rays back down to earth, so on light cloudy days, your RVSunvent will likely be operating. You'll get the full benefit of both fans operating on those sunny, hot days.

What is the warranty on the RVSunvent? It comes with a 1 - YEAR Limited Warranty.

All RVSunvent products are Patent Pending.

CALL YOUR DEALER FOR MORE DETAILS OR CONTACT

Manufactured by Stoett Industries, Inc. / www.stoett.com / Toll Free: (800) 431-2986 / 600 Defiance Ave., Hicksville, OH 43526